

4

3

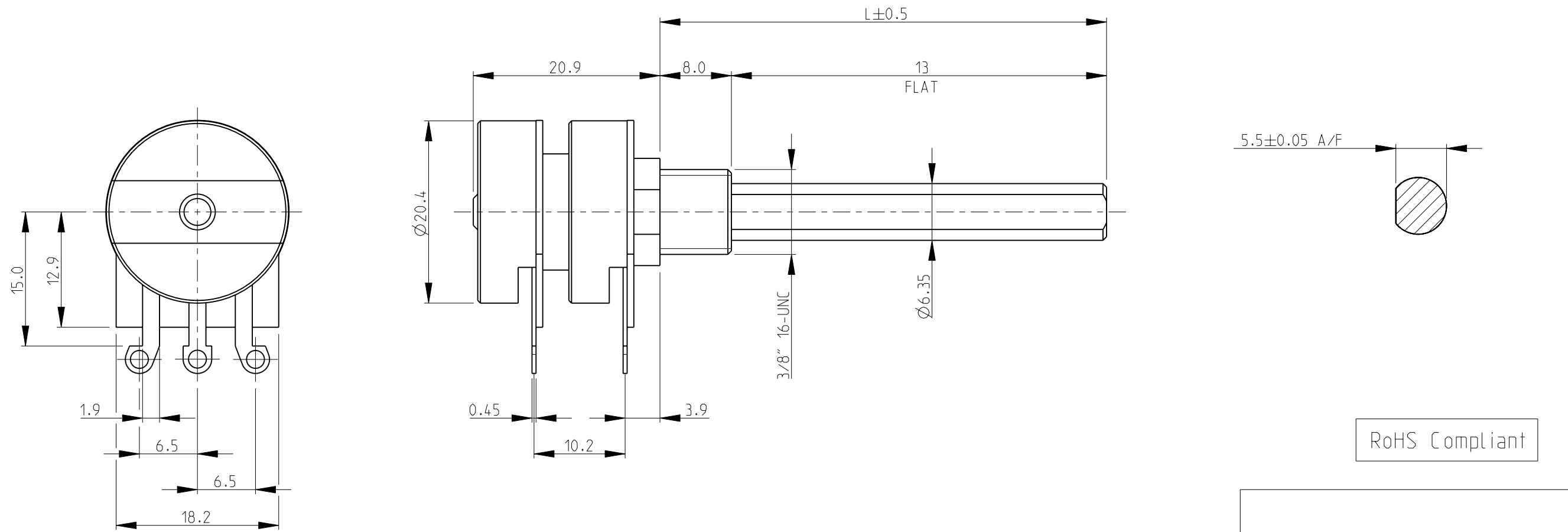
2

1

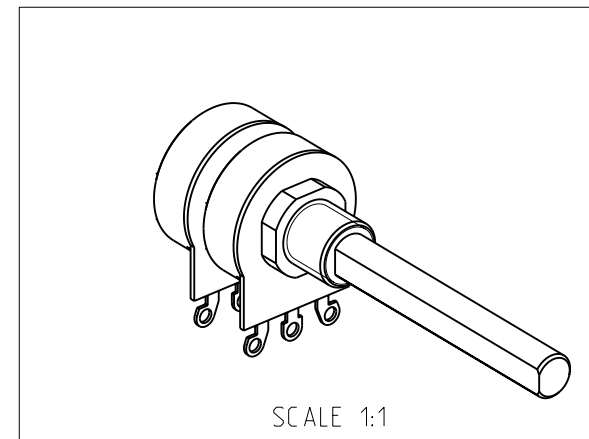
THIS DRAWING IS UNPUBLISHED. RELEASED FOR PUBLICATION 2008  
 © COPYRIGHT 2008 BY TYCO ELECTRONICS CORPORATION. ALL RIGHTS RESERVED.

LOC	DIST	REVISIONS			
P	LTR	DESCRIPTION	DATE	DWN	APVD
E	B	BA	NEW RELEASE	30-Jul-08	SM St.P

1 AVAILABLE IN DIFFERENT SHAFT LENGTHS (L) SEE DATA SHEET  
 2 FOR FURTHER INFORMATION SEE DATA SHEET FOR 23 SERIES-SPINDLE OPERATED POTENTIOMETER



RoHS Compliant



THIS DRAWING IS A CONTROLLED DOCUMENT FOR TYCO ELECTRONICS CORPORATION IT IS SUBJECT TO CHANGE AND THE CONTROLLING ENGINEERING ORGANIZATION SHOULD BE CONTACTED FOR THE LATEST REVISION.		DWN	SUBHASH.M	30-Jul-08	Tyco Electronics Corporation Dorcan, Swindon, SN3 5HH
DIMENSIONS: mm		CHK	PRAKASH.S	30-Jul-08	
		APVD	STEPHEN.P	30-Jul-08	
TOLERANCES UNLESS OTHERWISE SPECIFIED:		PRODUCT SPEC	NAME		
0 PLC $\pm 0.5$		APPLICATION SPEC	SPINDLE OPERATED POTENTIOMETER		
1 PLC $\pm 0.2$		WEIGHT	SERIES 23 (DUAL GANG STYLE)		
2 PLC $\pm 0.1$		CUSTOMER DRAWING	SIZE	A3	RESTRICTED TO
3 PLC $\pm$		SCALE	CAGE CODE	00779	-
4 PLC $\pm$		SCALE	DRAWING NO	1624185	-
ANGLES $\pm 5^\circ$		SCALE	SHEET	1 OF 1	REV
FINISH -		SCALE	2:1		BA